

 **XINJI**  
www.xinjismart.com

Made in China  
**FC CE RoHS**    
© 2023 XINJI Smart. All rights reserved.

 **XINJI**



**PX1** LCD PROJECTOR  
USER MANUAL

# CONTENTS

CONTENIDO  
INHALT  
KANDUNGAN  
सामग्री

English .....	01
Español .....	
Deutsch .....	
Bahasa Malay .....	
हिंदी .....	

This manual is for reference only, the actual product may vary. Please refer to the actual product.  
Este manual es solo para referencia, el producto real puede variar ligeramente. Consulte el producto real.

## WELCOME!

We are committed to continuously improving and enhancing product performance. The images and functional descriptions provided in this manual are based on the actual product and factory settings. We reserve the right to make improvements to the product's features and user interface without prior notice. Please refer to the actual product for final confirmation.

Please ensure that you take proper care of your device. We are not responsible for any losses incurred due to software or hardware misuse, repairs, or any other reasons. We also disclaim any liability for losses resulting from the disclosure of personal information to third parties. Additionally, we are not liable for any third-party claims arising from the use of this product.

This manual has undergone careful review and proofreading by our staff. If there are still any omissions, we apologize for any inconvenience and welcome your corrections.



The device is designed for use in non-tropical climate conditions, with a maximum expected operating temperature of 25°C

EN

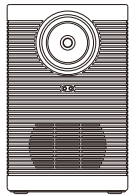
ES

DE

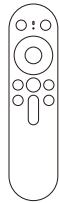
MS

HI

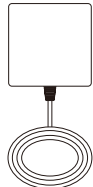
## Packing list



LCD  
Projector  
x1



Remote  
Control  
x1



Power  
Adaptor  
x1



User  
Manual  
x1

## Specifications

Display Technology:	LCD(2.6")
Native Resolution:	720P (1080×720)
Max Compatible Resolution:	1080P
Brightness:	100 ANSI Lumens
Light Source:	LED
Light lifetime:	10000H
Projection Ratio:	(1.42-1.48):1
Projection Size (Recommend):	30"-100"
Aspect Ratio:	16:9
Contrast Ratio:	1000:1
Lens Focus Mode:	Manual Focus
CPU:	Amlogic T921
Memory RAM:	512M In-Built
Flash Storage:	4GB
Wi-Fi:	2.4G
Speaker Power:	3W
Smart Screen Mirroring:	Miracast/Airplay

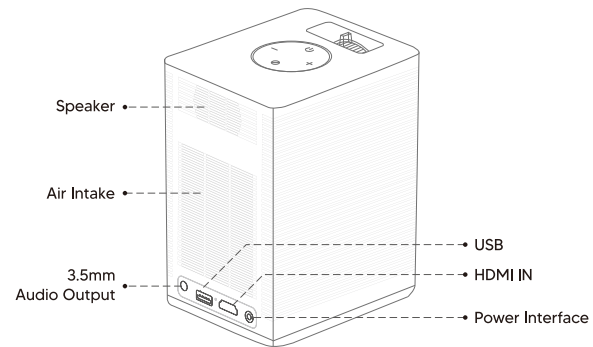
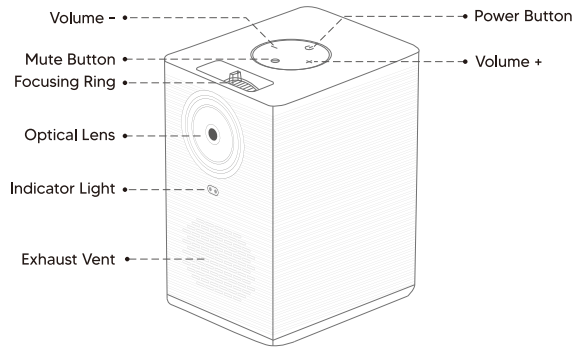
## Please read the instructions before use

- When using the product, ensure that the air vents are not blocked or obstructed. This will prevent the projector from overheating and potentially getting damaged.
- Avoid dropping or impacting the product from heights to prevent damage to internal electronic components.
- Do not look directly into the optical lens to avoid potential eye injury from strong light.
- Use a clean air blower to remove dust from the surface of the lens.
- Do not use chemicals, cleaning agents, or water to clean the equipment to prevent damage to the circuit boards due to corrosion.
- Do not store the device in excessively hot or cold environments. The recommended storage and operating temperature range is typically 0°C ~40°C.
- Avoid throwing, hitting, or subjecting the product to strong vibrations to prevent damage to the internal circuit boards.
- Do not attempt to disassemble the device on your own. If you encounter any issues, please contact authorized professional personnel for assistance. Do not attempt self repair.
- Use the official provided adapter to charge the device.  
Warning:  
(1) Our brand will not be held liable for any personal injury, property damage, or other losses resulting from failure to follow the instructions or safety precautions provided in the product manual.  
(2) Operating this device in residential environments may cause wireless interference.

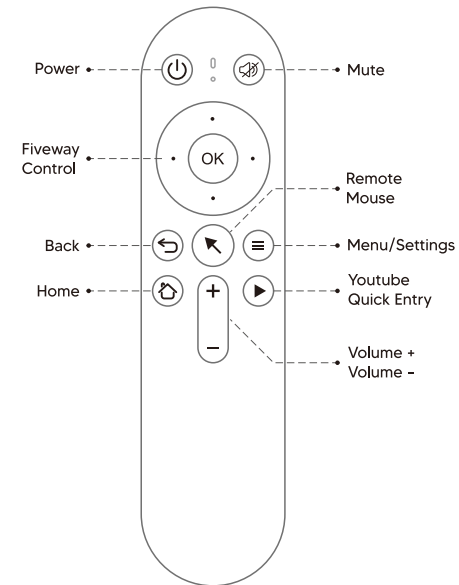


## Method of operation

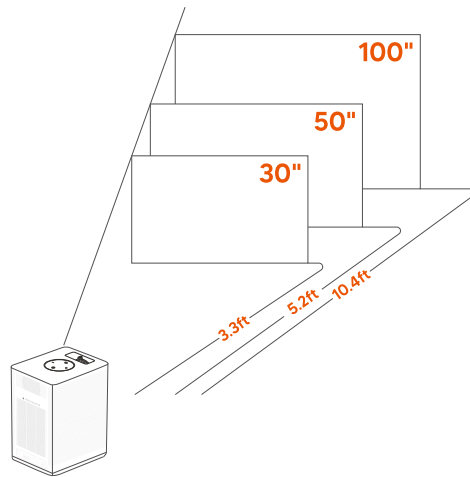
### Projector



### Remote Control



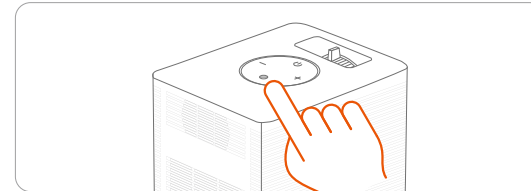
## Projection Distance and Size



- The distance between the projector lens and the screen, the zoom ratio settings, and the video format all affect the size of the projected image.
- The projected area is directly proportional to the projection distance: the farther the projection distance, the larger the projected area, but the corresponding image clarity may decrease. Users can choose the appropriate projection distance based on their actual usage conditions.

The distance between product and surface	3.3ft	5.2ft	10.4ft
Projected size	30"	50"	100"

## Power On/Off

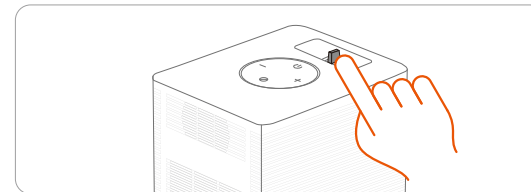


Power On: Press and hold the device's power button for approximately 3 seconds to turn it on.



Power Off: (1) Press and hold the power button on the remote control to access the options menu, then select "Power Off." (2) Press and hold the power button on the projector until it forcibly shuts down.

## Focus Adjustment



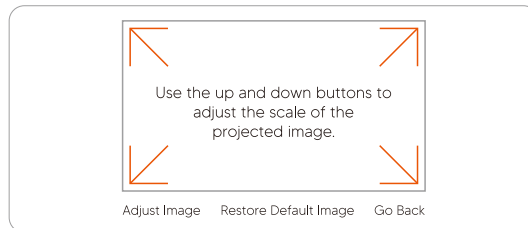
Turn the top knob on the camera body to focus.

## Connect to Wi-Fi

Enter the homepage > Select "Setting" > choose Network settings > Select the Wireless Connection > Wireless Switch > ON.

## Screen Zoom

Enter the homepage > Select "Setting" > select "Projection Settings" > select "Zoom" to scale the projected image proportionally with the up and down keys on the remote control.



## Wireless Screen Mirroring

Click Homepage "CAST" APP

1. check if CAST app is installed on your devices. If not, download it on devices.
2. Connect your devices to the same Wi-Fi.
3. Enter the PIN code of TV on your phone.

## HDMI Function

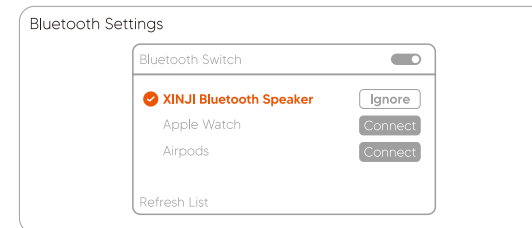
HDMI OUT: Used to synchronize the contents of the projector with an electronic screen. It can also be used to screen mirror mobile device contents through the projector onto the electronic screen, making ordinary electronic screens intelligent.

## Keystone Correction

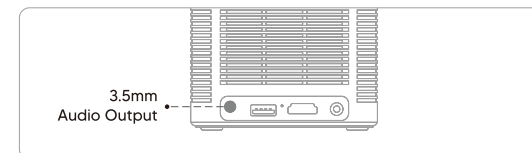
Manual Adjustment through Focusing Ring

## Audio Output

Bluetooth Headphones: Enter the homepage "Settings" > select "Sound Settings" > "Sound Output Devices" > "Project Speaker/Bluetooth Speaker" > Refresh.



External Speakers/Wired Headphones: Connect the audio device or headphones to the standard 3.5mm audio jack on the back of the projector.



Note: This jack is set as the external speaker output by default. When using headphones, please adjust the insertion depth accordingly.

## System Version and Upgrade

Enter the Home page, select "Setting" > "About the Projector" > Choose "Version Upgrade".



## Warranty card

Customer information		Seller information	
Name		Name	
Add.		Add.	
E-mail		Purchase Date	
P.C.		Product model	
Tel		Invoice number	
Date	Malfunction		Process result